



22.5 & 27.5mm Mtg. Diameter. Sunlight Visible. 20mm Big Dome Panel Mount LED Lamp



Features

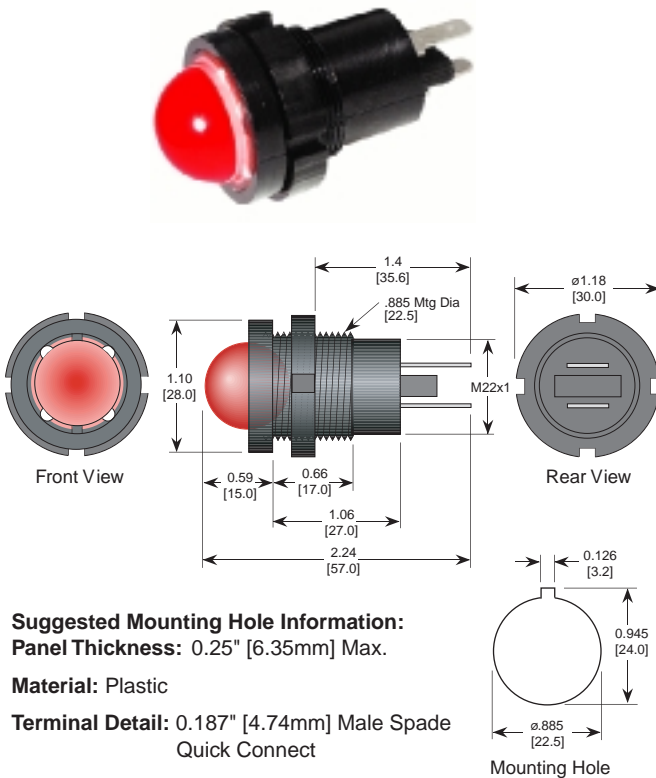
- Low-Cost, Non-Relampable Panel Mount
- Cylinder Thread Base
- LED Operating Life: 25,000 Hours
- Solid-State, High Shock / Vibration Resistant
- Maintenance Free, Easy Installation
- Wide Viewing Angle, 120°
- Operating Temperature Range: (-60 to +60°C)
- Low Power Consumption, High Intensity
- Major Power Savings
- Major Reduction in Heat Generation
- Built-in Current Limiting Resistor
- Sunlight Visible Super Bright or High-Efficiency LEDs

Custom Options

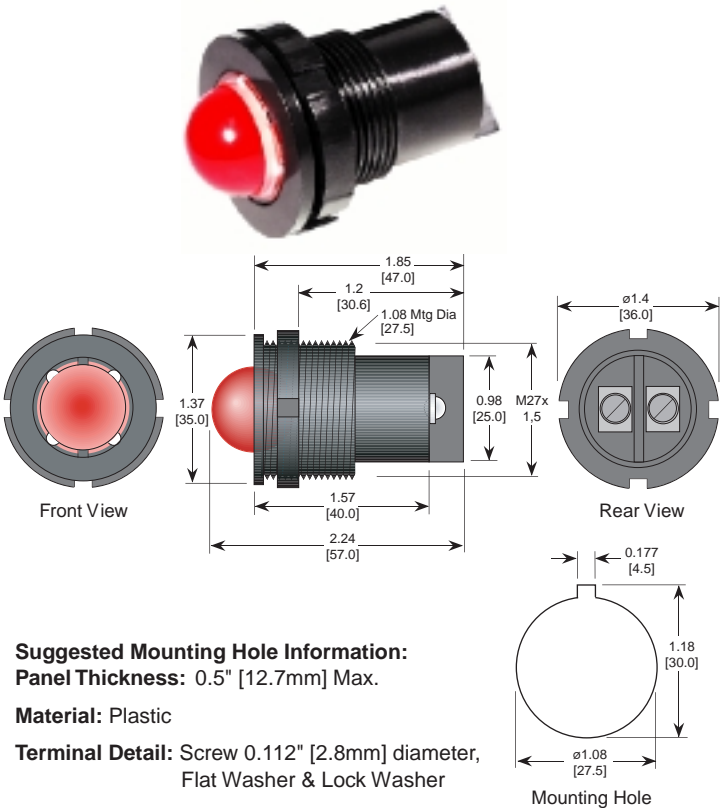
(for qualified applications)

- Special Voltages
- Black or White Package Color

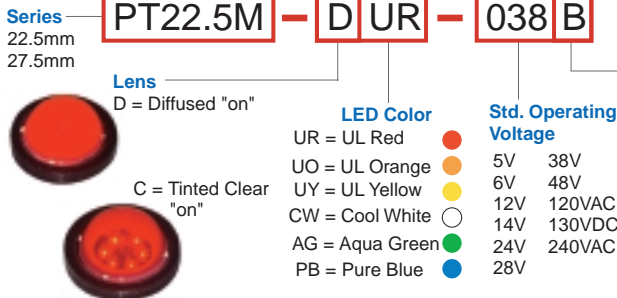
Big Dome Solid State LED Lamps (22.5mm Hole, Quick Connect Terminals)



Big Dome Solid State LED Lamps (27.5mm Hole, Screw Terminals)



Part Numbering Ordering Code



On-Condition Appearance

